

EFFORTLESSLY EFFICIENT, UNDENIABLY DURABLE.

SINGLE ENGINE COMBINATION MACHINE



969 Hall Park Road | Green Cove Springs, FL 32043 | USA
PHONE (904) 284-4200 | FAX (904) 284-3305
www.vac-con.com | vns@vac-con.com

A subsidiary of Holden Industries, Inc., Vac-Con is a 100% employee-owned company.
©2016 Vac-Con, all rights reserved.



GET THE JOB DONE WITH ONE OF THE INDUSTRY'S MOST SOUGHT AFTER MACHINES.

*SOME COMPONENTS SHOWN ARE NON-STANDARD.

AS SHOWN:

1. 180° Articulating Hose Reel, 600 ft. x 1 in.
2. Omnibus™ Precision Power
3. Automatic Level Wind Guide
4. Cross-Linked Polyethylene Water Tanks
5. Lazy Susan Pipe Rack
6. Debris Body Dump Station
7. Hydro-Excavation Package
8. 50 ft. Retractable Low Pressure Handgun Hose Reel
9. Aluminum Tool Boxes

10. Corten® Steel Debris Tank
11. External Load Level Indicator
12. Positive Seal Vacuum Breaker
13. 10 ft. Telescopic Boom
14. Hinged Boom Tie Down
15. Rear Door with Hydraulic Door Locks
16. Strobe Lighting & Arrow Board
17. Water Pump with Suction Strainer
18. Wear Back Boom Elbow

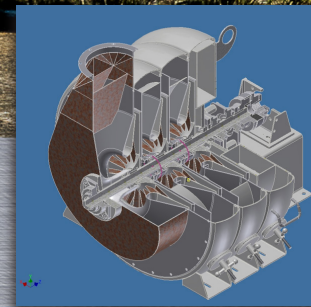
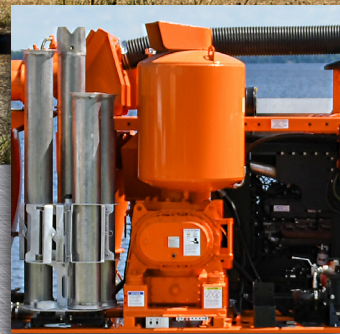
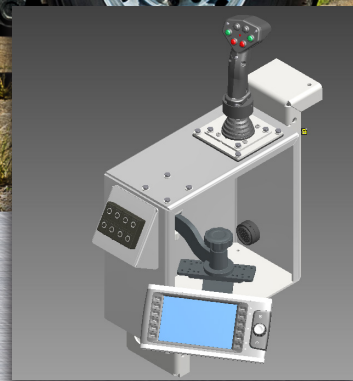
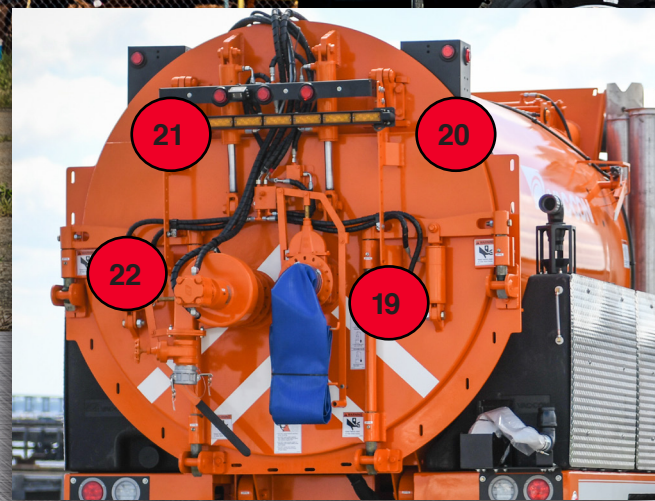
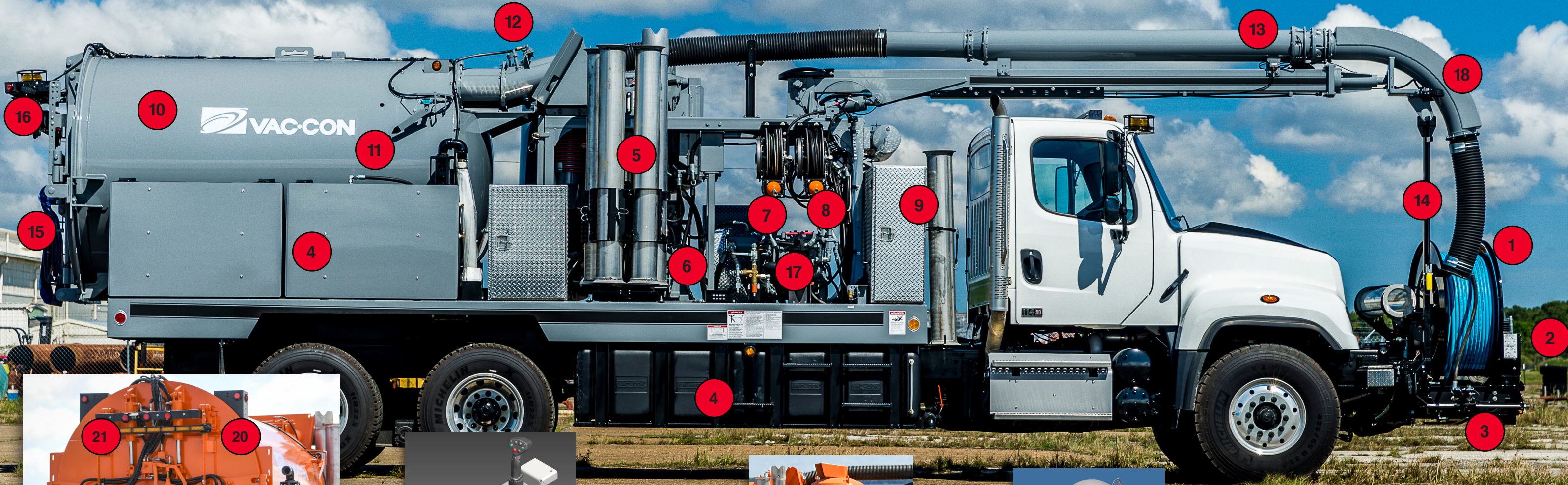
FLAT REAR DOOR:

19. 6 in. Knife Valve
20. Hydraulic Opening Rear Door with Wedge-Style Locks
21. Arrow Stick Lighting
22. Hydraulic Pump Off

OPTIONS

- A. Omnibus™ Precision Power
- B. PD Blower
- C. Wireless Remote
- D. Mainframe Deck Coating
- E. Hydro-Excavation Package
- F. Safety Light Packages
- G. 3yd to 16yd Debris Tank
- H. 500 to 1500 gal. Water Capacity
- I. Hi-Dump

Consult Factory/Dealer for Additional Options



Flat Rear Door

Flat-style rear door features a 6 in. Knife Valve, Arrow Stick Lighting, and Pump Off.

Omnibus™ Precision Power

The Omnibus Precision Power Control System provides complete control of machine functions from one centralized location, all with real-time diagnostics that simplifies the job and required maintenance.

PD Blower

PD Blower with multiple ratings up to 27" Hg and 5,775 CFM.

Vac-Con-Stage Fan

Vac•Con's intake and fan housing results in a more balanced airflow, decreasing turbulence and allowing for more power, less noise and more reliability.

Wireless Remote

An integrated, enhanced control system that vastly improves usability and efficiency.